

# Impulse relays Ex9JU

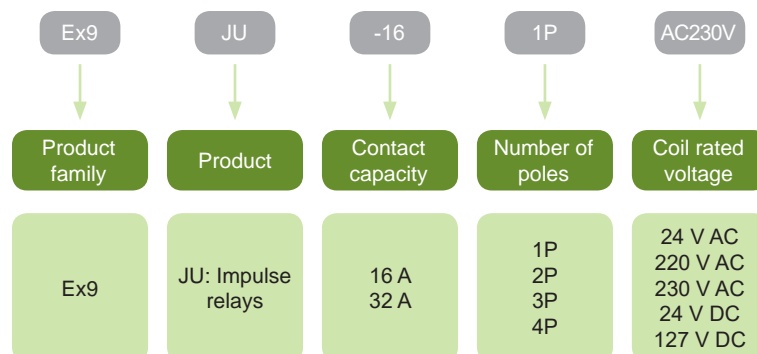


- Meet requirements of IEC / EN 61810
- Rated current 16 or 32 A
- Control coil voltage 24, 220 or 230 V AC and 24 or 127 V DC
- Rated frequency 50 Hz
- 1, 2, 3 or 4-contact versions

Impulse relays Ex9JU are suitable mainly for household where is low power consumption required. Change-over contacts are switched while impulse is provided to the coil. They are mainly used in building automation processes for switching and controlling lightings, heating systems, ventilations, pumps, heating pumps and other applications.

Impulse relays are offered in two variants of rated current 16 or 32 A. Each version has possibility of up to 4 change-over contacts. Hardware switches on a front of device for manual control.

## Type Key



## Certification marks



# Impulse relays Ex9JU

## Impulse relays 16 A

- Rated current 16 A
- 1 to 4 contacts
- Control voltage 24, 220 or 230 V AC and 24 or 127 V DC



| Control voltage | Number of contacts | Article No. | Type               | Packing  |
|-----------------|--------------------|-------------|--------------------|----------|
| 220 V AC        | 1                  | 110260      | Ex9JU-16/1P AC220V | 1/12/180 |
| 230 V AC        | 1                  | 110261      | Ex9JU-16/1P AC230V | 1/12/180 |
| 24 V AC         | 2                  | 110262      | Ex9JU-16/2P AC24V  | 1/12/180 |
| 220 V AC        | 2                  | 110263      | Ex9JU-16/2P AC220V | 1/12/180 |
| 230 V AC        | 2                  | 110264      | Ex9JU-16/2P AC230V | 1/12/180 |
| 24 V AC         | 3                  | 110265      | Ex9JU-16/3P AC24V  | 1/6/90   |
| 220 V AC        | 3                  | 110266      | Ex9JU-16/3P AC220V | 1/6/90   |
| 230 V AC        | 3                  | 110267      | Ex9JU-16/3P AC230V | 1/6/90   |
| 24 V AC         | 4                  | 110268      | Ex9JU-16/4P AC24V  | 1/6/90   |
| 220 V AC        | 4                  | 110269      | Ex9JU-16/4P AC220V | 1/6/90   |
| 230 V AC        | 4                  | 110270      | Ex9JU-16/4P AC230V | 1/6/90   |
| 24 V DC         | 1                  | 110282      | Ex9JU-16/1P DC24V  | 1/12/180 |
| 127 V DC        | 1                  | 110283      | Ex9JU-16/1P DC127V | 1/12/180 |
| 24 V DC         | 2                  | 110284      | Ex9JU-16/2P DC24V  | 1/12/180 |
| 24 V DC         | 3                  | 110285      | Ex9JU-16/3P DC24V  | 1/6/90   |
| 24 V DC         | 4                  | 110286      | Ex9JU-16/4P DC24V  | 1/6/90   |

## Impulse relays 32 A

- Rated current 32 A
- 1 to 4 contacts
- Control voltage 24, 220 or 230 V AC and 24 V DC



| Control voltage | Number of contacts | Article No. | Type               | Packing  |
|-----------------|--------------------|-------------|--------------------|----------|
| 220 V AC        | 1                  | 110271      | Ex9JU-32/1P AC220V | 1/12/180 |
| 230 V AC        | 1                  | 110272      | Ex9JU-32/1P AC230V | 1/12/180 |
| 24 V AC         | 2                  | 110273      | Ex9JU-32/2P AC24V  | 1/6/90   |
| 220 V AC        | 2                  | 110274      | Ex9JU-32/2P AC220V | 1/6/90   |
| 230 V AC        | 2                  | 110275      | Ex9JU-32/2P AC230V | 1/6/90   |
| 24 V AC         | 3                  | 110276      | Ex9JU-32/3P AC24V  | 1/4/60   |
| 220 V AC        | 3                  | 110277      | Ex9JU-32/3P AC220V | 1/4/60   |
| 230 V AC        | 3                  | 110278      | Ex9JU-32/3P AC230V | 1/4/60   |
| 24 V AC         | 4                  | 110279      | Ex9JU-32/4P AC24V  | 1/3/45   |
| 220 V AC        | 4                  | 110280      | Ex9JU-32/4P AC220V | 1/3/45   |
| 230 V AC        | 4                  | 110281      | Ex9JU-32/4P AC230V | 1/3/45   |
| 24 V DC         | 1                  | 110287      | Ex9JU-32/1P DC24V  | 1/12/180 |
| 24 V DC         | 2                  | 110288      | Ex9JU-32/2P DC24V  | 1/6/90   |
| 24 V DC         | 3                  | 110289      | Ex9JU-32/3P DC24V  | 1/4/60   |
| 24 V DC         | 4                  | 110290      | Ex9JU-32/4P DC24V  | 1/3/45   |

# Technical Data Ex9JU

## Impulse relays

### General parameters

1, 2, 3 and 4-contact versions

Hardware switches on a front of device for manual control

### Electrical parameters

|   | Ex9JU-16   | Ex9JU-32                             |
|---|--|--------------------------------------|
| Tested according to                       | IEC/EN 61810-1:2015  |                                      |
| Rated operational voltage $U_e$           | 250 V AC / 28 V DC   |                                      |
| Coil rated voltage $U_c$                  | 24 V AC / 220 V AC / 230 V AC<br>24 V DC / 127 V DC          |                                      |
| Control voltage range                     | 85 — 110 % $U_c$   |                                      |
| Rated frequency f                         | 50 Hz  |                                      |
| Maximum switching voltage                 | 250 V AC / 125 V DC  |                                      |
| Rated insulation voltage $U_i$            | 500 V  |                                      |
| Rated impulse withstand voltage $U_{imp}$ | 4 kV   |                                      |
| Maximum switching current                 | 16 A   | 32 A                                 |
| Maximum switching power                   | 4000 VA (250 V AC) / 448 W (28 V DC)                         | 8000 VA (250 V AC) / 896 W (28 V DC) |
| Electrical service life                   | 100 000 operating cycles                                     |                                      |
| Max. switching frequency                  | 720 per hour   |                                      |
| Coil power consumption                    |  |                                      |
| 1P  | 8.28 VA 7.68 W   | 12.42 VA 7.68 W                      |
| 2P  |  | 24.84 VA 15.36 W                     |
| 3P  | 16.56 VA 15.36 W   | 37.26 VA 23.04 W                     |
| 4P  |  | 49.68 VA 30.72 W                     |
| Ambient temperature                       | -25 — +55 °C   |                                      |
| Impulse duration                          | 50 ms (minimum)<br>200 ms (recommended)<br>1000 ms (maximum) |                                      |
| Switching delay (ON / OFF)                | 20 / 15 ms   |                                      |
| Overvoltage category                      | II   |                                      |

### Mechanical parameters

|                                       | Ex9JU-16                                    | Ex9JU-32              |
|---------------------------------------|---|-----------------------|
| Device width (1P / 2P / 3P / 4P)      | 18 / 18 / 36 / 36 mm                        | 18 / 36 / 54 / 72 mm  |
| Device height                         | 83.2 mm (86 mm including rail clip)         |                       |
| Frame size                            | 45 mm                                       |                       |
| Mounting                              | easy fastening onto 35 mm device rail (DIN) |                       |
| Mounting position                     | any   |                       |
| Degree of protection                  | IP20  |                       |
| Terminals                             | M3.5 screws                                 | M4 screws             |
| Terminal capacity                     | 2.5 — 4 mm <sup>2</sup>                     | 4 — 6 mm <sup>2</sup> |
| Fastening torque of terminals         | 0.8 Nm                                      | 1.2 Nm                |
| Control coil terminal                 | M3.5 screws                                 |                       |
| Control coil terminal capacity        | 2.5 — 4 mm <sup>2</sup>                     |                       |
| Fastening torque of control terminals | 0.8 Nm                                      |                       |
| Mechanical service life               | 1 000 000 operating cycles                  |                       |
| Pollution degree                      | 1   |                       |
| Installation class                    | III   |                       |
| Weight (1MU / 2MU / 3MU / 4MU)        | 0.11 / 0.22 / 0.33 / 0.44 kg                |                       |

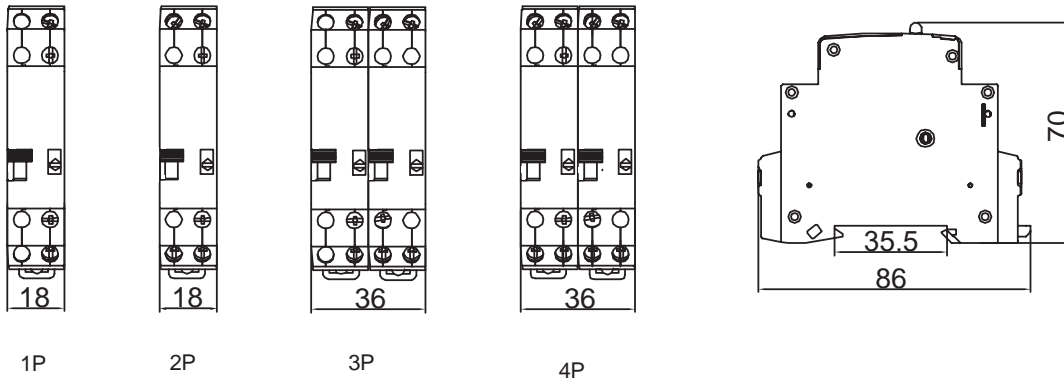
# Technical Data Ex9JU

## Impulse relays

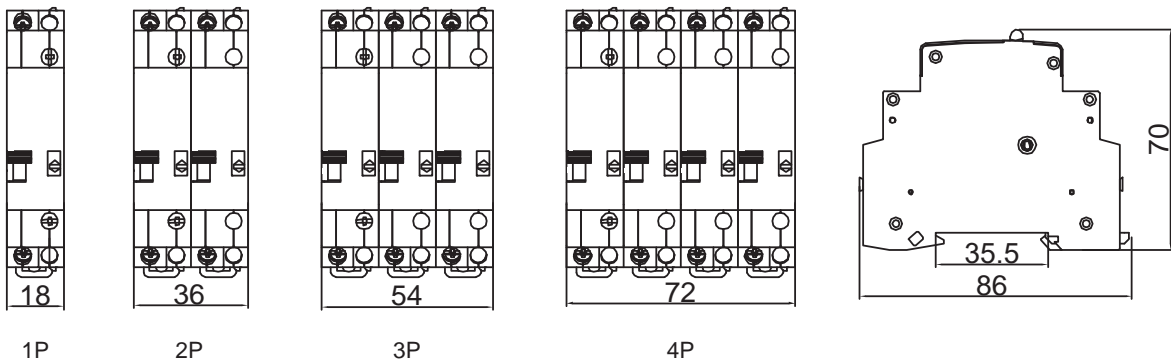
### Dimensions

Ex9JU-16

mm

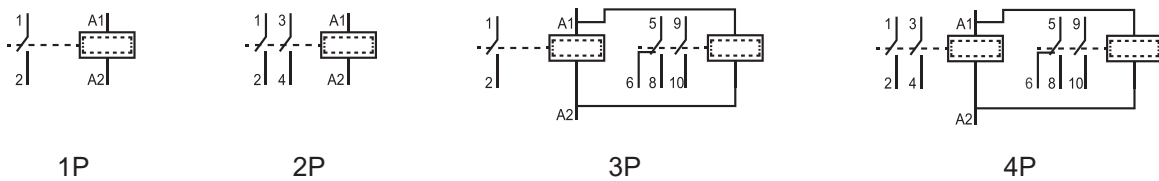


Ex9JU-32



### Wiring diagrams

Ex9JU-16



Ex9JU-32

