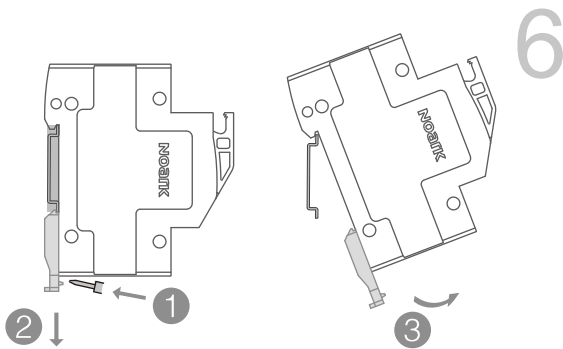
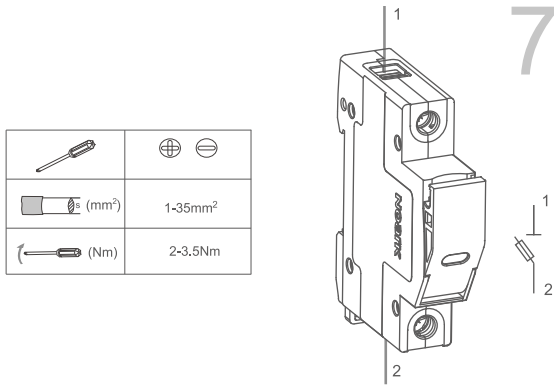


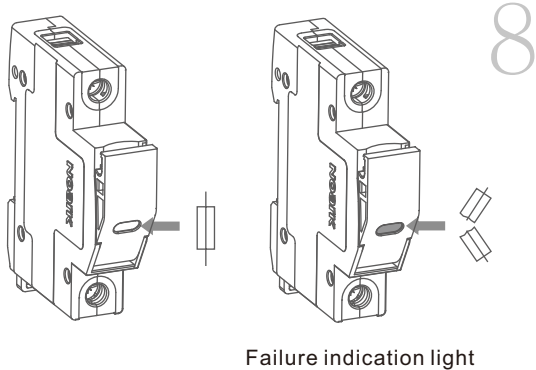
Ex9F



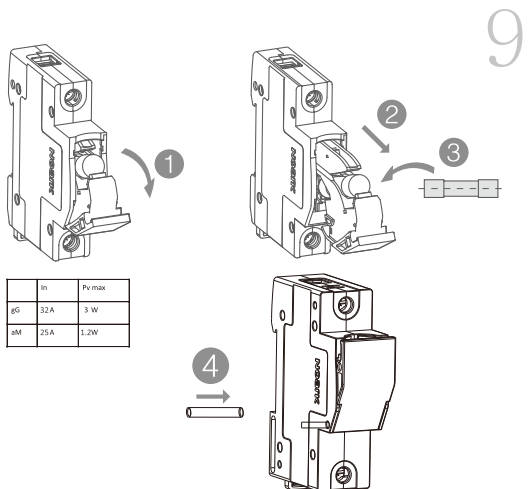
Ex9F



Ex9F



Ex9F



NOARK



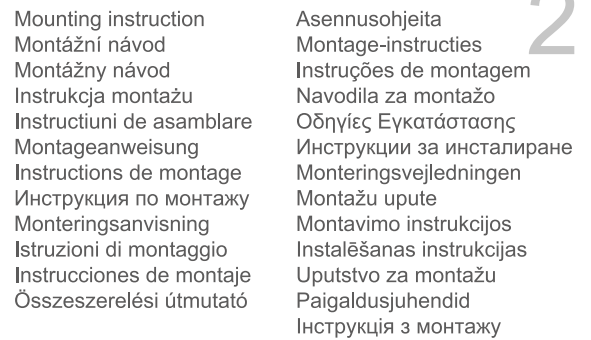
Printed with environment-friendly paper  
 Copyright Noark. All Rights Reserved  
 Manufacturer: NOARK Electric (Shanghai) Co., Ltd.  
 3857 Sixian Road, Songjiang District, Shanghai  
 Importer: NOARK Electric Europe s.r.o. Sezemická  
 2757/2 | 193 00 Praha 9 | Czech Republic  
 www.noark-electric.eu  
 Z9F201711EU

Ex9F

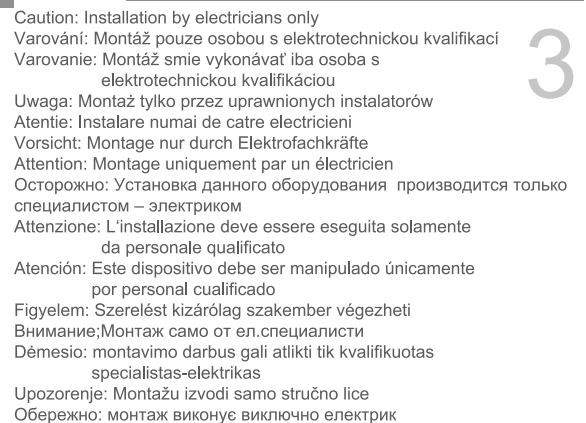


NOARK

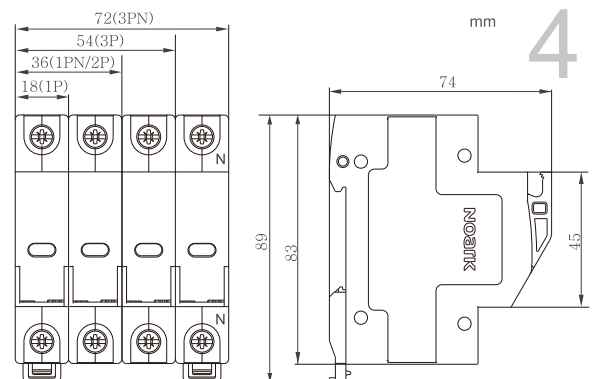
Ex9F



Ex9F



Ex9F



Ex9F

