

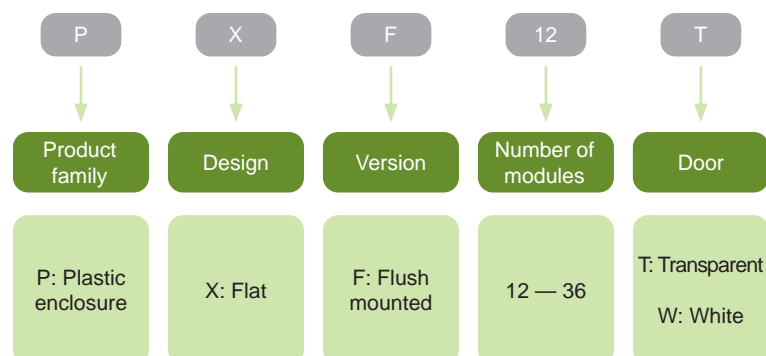
Flush-mounted IP40 Consumer Units PXF



- Flush-mounted consumer units PXF
- Degree of protection IP40
- 12 up to 36 modules
- 1 up to 3 rows
- Transparent or white door

Consumer units PXF are intended mainly for domestic applications. Their design is suitable for flush mounting. Scope of delivery consists of enclosure, door, device DIN rails, N + PE terminals, front cover with device cutout, cover for empty place, mounting material.

Type Key



Certification marks



Flush-mounted IP40 Consumer Units PXF

Consumer units PXF with transparent door

- Flush mounted version
- 12 modules per row
- 1 up to 3 rows
- Scope of delivery: enclosure, door, device DIN rails, N + PE terminals, front cover with device cutout, cover for empty place, mounting material



N+PE terminals	Number of rows	Total modules	Article No.	Type	Packing
10+10	1	12	101529	PXF 12T	1
13+13	2	24	101530	PXF 24T	1
15+15	3	36	101531	PXF 36T	1

Consumer units PXF with white door

- Flush mounted version
- 12 modules per row
- 1 up to 3 rows
- Scope of delivery: enclosure, door, device DIN rails, N + PE terminals, front cover with device cutout, cover for empty place, mounting material



N+PE terminals	Number of rows	Total modules	Article No.	Type	Packing
10+10	1	12	101532	PXF 12W	1
13+13	2	24	101523	PXF 24W	1
15+15	3	36	101524	PXF 36W	1

Flush-mounted IP40 Consumer Units PXF

Spare door, transparent

- Spare door for consumer unit
- For PXF line of consumer units
- Packed separately



Version	For consumer units	Article No.	Type	Packing
Transparent	PXF 12T	101564	DR PXF 12T	1
Transparent	PXF 24T	101565	DR PXF 24T	1
Transparent	PXF 36T	101566	DR PXF 36T	1

Spare door, white

- Spare door for consumer unit
- For PXF line of consumer units
- Packed separately



Version	For consumer units	Article No.	Type	Packing
White	PXF 12W	101567	DR PXF 12W	1
White	PXF 24W	101568	DR PXF 24W	1
White	PXF 36W	101569	DR PXF 36W	1

Additional insulated terminals

- Additional insulated terminal with holder
- Grey colour
- 2 x 10 or 2 x 15 terminals



Description	Number of N + PE terminals	Article No.	Type	Packing
Svorkovnice	10 + 10	109053	TH CUB D	1
Svorkovnice	15 + 15	101577	TH CUB P	1

Cover for empty places

- Cover for unused 45 mm device cutout
- White, grey or black colour
- Total width 224 mm, can be shortened
- Segmented as 1x 15 mm, 22 x 1/2 module width, 1x 15 mm



Colour	Width	Article No.	Type	Packing
White	224 mm	101574	B CC45	1/500
Grey	224 mm	113277	B CC45 G	1/500
Black	224 mm	110192	B CC45 B	1/500

Flush-mounted IP40 Consumer Units PXF

Spare mounting material

- For IP40 flush mounted consumer units
- Package contains: wall holders, stickers, empty place cover



Description	Article No.	Type	Packing
Spare mounting material, IP40	106183	SMM IP40F	1 pack

Mounting frame

- DIN rails connected to mounting frame for easier manipulation and installation



Description	Article No.	Type	Packing
Mounting frame for PXF 24 (2x12MU)	106161	MF PXF 24	1

Holder for double terminal

- Adding possibility to connect two insulate terminals together
- 1 set = 2 pieces (one per side)



Description	Article No.	Type	Packing
Holder for double terminal	110820	DTH	1 set

Technical Data PXF

Plastic consumer units, IP40, flush mounted

General parameters

Consumer units for domestic applications mainly

Flush mounted version

Scope of delivery: enclosure, door, device DIN rails, N + PE terminals, front cover with device cutout, cover for empty place, mounting material

Electrical parameters

Tested according to	EN 60670
Rated operational voltage	400 V AC
Rated frequency	50 Hz
Degree of protection	IP40
Protection class	II
Maximum power dissipation of all installed devices at ambient temperature 30 °C	
PXF 12T / PXF 12W	53 W
PXF 24T / PXF 24W	69 W
PXF 36T / PXF 36W	84 W

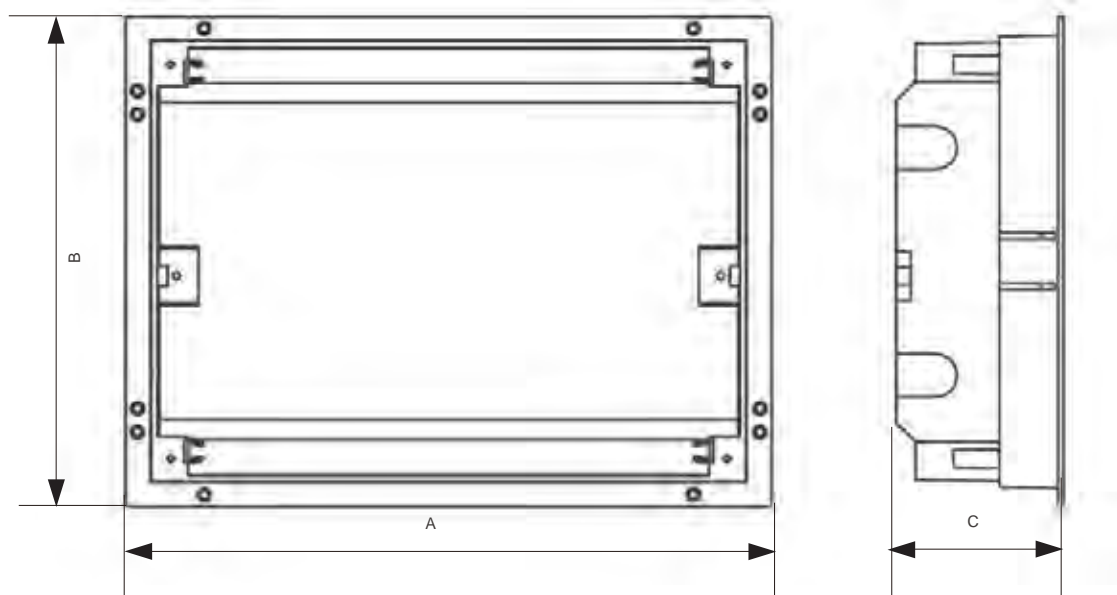
Mechanical parameters

Glow-wire test	650 °C
Mechanical impact resistance	IK07
Used plastics	Halogen-free
Body color	RAL9003
Operating temperature	-25°C – +60°C
Material	Styrene

Technical Data PXF

Plastic consumer units, IP40, flush mounted

Dimensional drawings



Dimensions

Type	Dimensions [mm]		
	A	B	C
PXF 12T / PXF 12W	338	260	88
PXF 24T / PXF 24W	338	380	92
PXF 36T / PXF 36W	338	508	92