

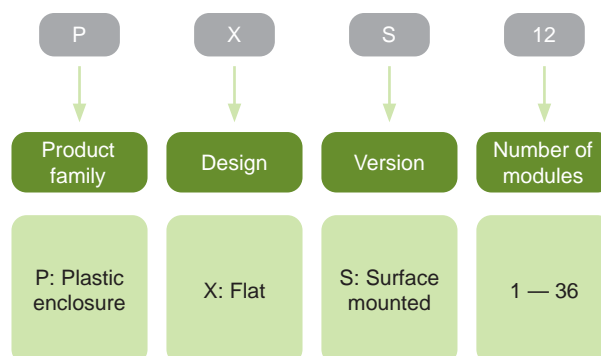
Surface-mounted IP30 Consumer Units PXS



- Surface-mounted consumer units PXS
- Degree of protection IP30
- 1 up to 36 modules
- 1 up to 3 rows
- Without door

Consumer units PXS are intended mainly for domestic applications. Their design is suitable for surface mounting. Scope of delivery consists of enclosure, device DIN rails, N + PE terminals (excl. PXS 1 and PXS 2), front cover with device cutout, cover for empty place, mounting material. Delivered without door.

Type Key



Certification marks



Surface-mounted IP30 Consumer Units PXS

Consumer units PXS

- Surface mounted version
- 1, 2, 3 or 12 modules per row
- 1 up to 3 rows
- Without door
- Scope of delivery: enclosure, device DIN rails, N + PE terminals (excl. PXS 1 and PXS 2), front cover with device cutout, cover for empty place, mounting material



N+PE terminals	Number of rows	Total modules	Article No.	Type	Packing
–	1	1	113275	PXS 1	1
–	1	2	113276	PXS 2	1
4+4	1	3	101525	PXS 3	1
10+10	1	12	101526	PXS 12	1
13+13	2	24	101527	PXS 24	1
15+15	3	36	101528	PXS 36	1

Additional insulated terminals

- Additional insulated terminals with holder
- Grey colour
- 2x10 or 2 x 15 terminals



Number of N + PE terminals	Article No.	Type	Packing
10 + 10	109053	TH CUB D	1
15 + 15	101577	TH CUB P	1

Holder for double terminal

- Adding possibility to connect two insulate terminals together
- 1 set = 2 pieces (one per side)



Description	Article No.	Type	Packing
Holder for double terminal	110820	DTH	1 set

Covers for empty place

- Covers for unused 45 mm device cutout
- White, grey or black colour
- Total width 224 mm, can be shortened
- Segmented as 1x 15 mm, 22 x 1/2 module width, 1x 15 mm



Colour	Width	Article No.	Type	Packing
White	224 mm	101574	B CC45	1/500
Grey	224 mm	113277	B CC45 G	1/500
Black	224 mm	110192	B CC45 B	1/500

Technical Data PXS

Plastic consumer units, IP30, surface mounted

General parameters

Consumer units for domestic applications mainly

Surface mounted version

Scope of delivery: enclosure, device DIN rails, N + PE terminals (excl. PXS 1 and PXS 2), front cover with device cutout, cover for empty place, mounting material

Electrical parameters

Tested according to	EN 60670
Rated operational voltage	230 / 400 V AC
Rated frequency	50 Hz
Degree of protection	IP30
Protection class	II
Maximum power dissipation of all installed devices at ambient temperature 30 °C	
PXS 1	14 W
PXS 2	14 W
PXS 3	14 W
PXS 12	22 W
PXS 24	22 W
PXS 36	26 W

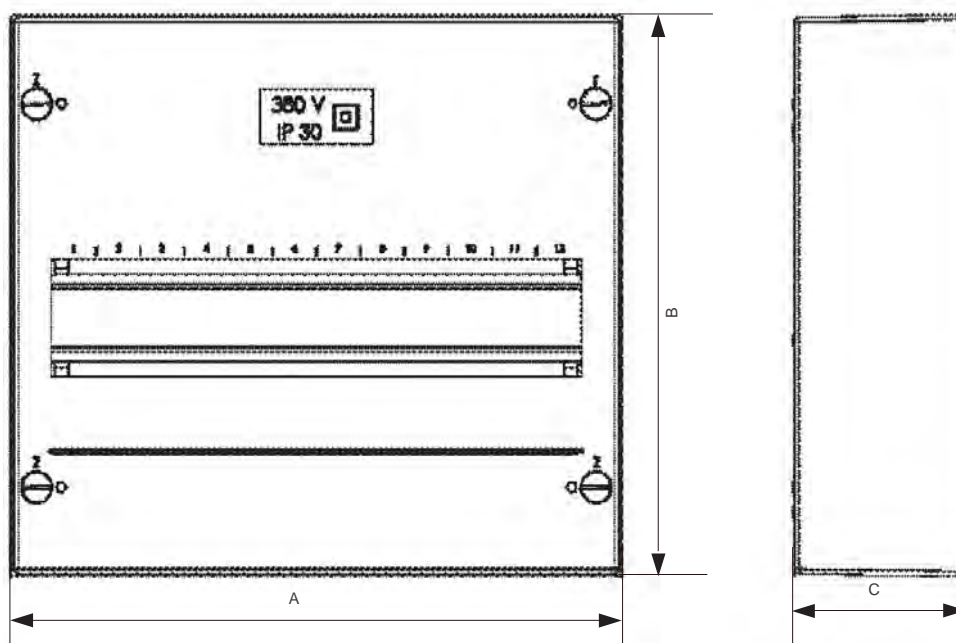
Mechanical parameters

Glow-wire test	650 °C
Mechanical impact resistance	IK07
Used plastics	Halogen-free
Body color	RAL9003
Operating temperature	-25°C – +60°C
Material	Styrene

Technical Data PXS

Plastic consumer units, IP30, surface mounted

Dimensional drawings



Dimensions

Type	Dimensions [mm]		
	A	B	C
PXS 1	51	130	57
PXS 2	87	130	57
PXS 3	97	155	57
PXS 12	250	225	70
PXS 24	250	353	70
PXS 36	250	463	70